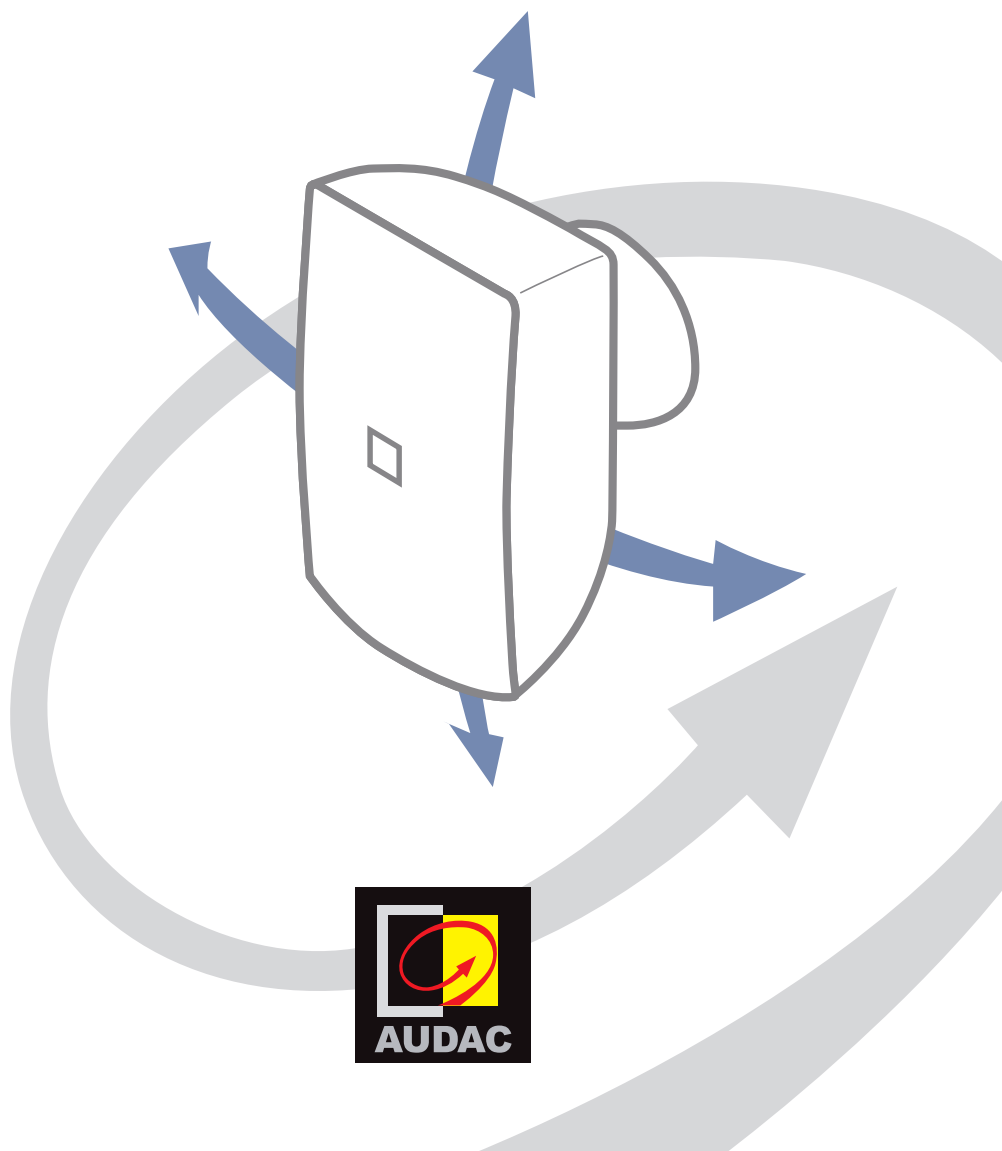


# Ateo 2

## User & Installation Manual





# Introduction

## Compact full–range speaker with Clevermount™

The ATEO is a series of extraordinary loudspeakers especially designed for fixed install indoor applications, ranging from modern residential applications to the most demanding designer applications in environments such as retail stores, pubs, restaurants or even clubs.

The ATEO2 is the ultra–compact model of this series, which smoothly integrates into any interior like no other loudspeaker. Fitted with an 2” aluminum cone driver, it provides a full–range, warm and detailed sound with an improved response in the low frequencies due to the ported enclosure. It features a stunningly designed and elegant looking ABS housing which is fitted with High–Quality components. What makes this loudspeaker range so exceptional is the specially designed mounting bracket using the Clevermount™ technology, making the loudspeakers cabinet flow together with the mounting bracket providing a great ease for installing the loudspeaker in one good–looking entity.

The installation of the speaker is done by fixing the included wall–plate to the desired mounting location and fitting the included connector to the wires. After this is done, the connector should be plugged to the socket on the speaker side and fixing the speaker to the wall plate by a simple quarter turn.

All Ateo series speakers are available in Black (/B) or White (/W).

# Precautions

## READ FOLLOWING INSTRUCTIONS FOR YOUR OWN SAFETY

- ALWAYS KEEP THESE INSTRUCTIONS FOR FUTURE REFERENCE. NEVER THROW THEM AWAY
- ALWAYS HANDLE THIS UNIT WITH CARE
- CLEAN ONLY WITH DRY CLOTH
- HEED ALL WARNINGS AND FOLLOW ALL INSTRUCTIONS
- NEVER EXPOSE THIS EQUIPMENT TO RAIN, MOISTURE, ANY DRIPPING OR SPLASHING LIQUID. AND NEVER PLACE AN OBJECT FILLED WITH LIQUID ON TOP OF THIS DEVICE
- DO NOT INSTALL THIS UNIT NEAR ANY HEAT SOURCES SUCH AS RADIATORS OR OTHER APPARATUS THAT PRODUCE HEAT
- DO NOT PLACE THIS UNIT IN ENVIRONMENTS WITH A HIGH LEVEL OF DUST, HEAT, MOISTURE OR VIBRATION
- THIS UNIT IS DEVELOPED FOR INDOOR USE ONLY. DO NOT USE IT OUTDOORS
- ONLY USE ATTACHMENTS & ACCESSORIES SPECIFIED BY THE MANUFACTURER.
- ONLY INSTALL THE SPEAKER IN LOCATIONS THAT CAN STRUCTURALLY SUPPORT THE WEIGHT OF THE SPEAKER. IGNORING THIS CAN BRING THE SPEAKER DOWN.
- DO NOT USE ANY OTHER METHOD THAN SPECIFIED TO MOUNT THE SPEAKER. IF EXTREME FORCE IS APPLIED TO THE SPEAKER, IT COULD FALL DOWN
- ATTACH A SAFETY WIRE TO THE SPEAKER WHEN IT IS MOUNTED HIGH UP. ONLY USE INDUSTRY-ACCEPTED RIGGING TOOLS AND METHODS
- CAREFULLY CHECK THE UNIT'S CONDITION AFTER UNPACKING. IF THERE IS ANY DAMAGE TO THE CARTON BOX OR THE UNIT ITSELF, INFORM YOUR VENDOR IMMEDIATELY.
- ALWAYS FOLLOW THE LOCAL REGULATIONS AND REQUIREMENTS REGARDING INSTALLATION, SUSPENSION AND CONNECTION OF THIS LOUDSPEAKER. EVEN WHEN OTHERWISE SPECIFIED IN THIS DOCUMENT.
- THE INSTALLATION OF THIS LOUDSPEAKER SHALL BE DONE BY QUALIFIED PERSONNEL ONLY.

## CAUTION

- USE CABLES OF THE RIGHT GAUGE TO CONNECT THE LOUDSPEAKER
- USE CABLES WITH CLEAR COLOUR CODING INDICATING THE POLARITY AND MAINTAIN THE SAME POLARITY THROUGHOUT THE WHOLE SYSTEM.
- ONLY USE THE CORRECT AMPLIFIER OUTPUT VOLTAGE AND IMPEDANCE. EXCEEDING THESE LIMITS COULD CAUSE FIRE OR OTHER FAILURES.
- AVOID EXPLOSIONS: DO NOT USE THE SPEAKER AROUND GASOLINE, THINNER OR OTHER COMBUSTIBLES
- AVOID ELECTRIC SHOCKS: SWITCH OFF THE AMPLIFIER WHEN CONNECTING THE LOUDSPEAKER
- DO NOT USE THE LOUDSPEAKER FOR AN EXTENDED PERIOD OF TIME AT DISTORTED SOUND. THIS COULD CAUSE PERMANENT DAMAGE.



### CAUTION – SERVICING

This product contains no user serviceable parts. Refer all servicing to qualified service personnel. Do not perform any servicing (unless you are qualified to do so.)



### EC DECLARATION OF CONFORMITY

This product conforms to all the essential requirements and further relevant specifications described in following directives: 2004/108/EC (EMC) and 2006/95/EC (LVD)



### WASTE ELECTRICAL AND ELECTRONIC EQUIPMENT (WEEE)

The WEEE marking indicates that this product should not be disposed with regular household waste at the end of its product life. This regulation is created to protect both the environment and human health.

This product is developed and manufactured with high quality materials and components which can be recycled and/or reused. Please dispose this product to your local collection point or recycling centre for electrical and electronic waste. This will make to sure that it will be recycled on an environmentally friendly manner, and will help to protect the environment in which we all live.

# Installing the ATEO Clevermount™ Technology

Every Ateo speaker uses the unique Clevermount™ technology, making the loudspeaker cabinet flow together with the mounting bracket and providing a great ease for installing the loudspeaker in one good-looking entity.

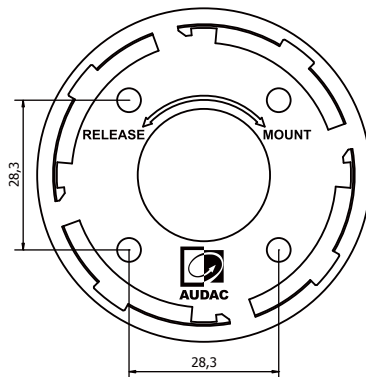
Using this technology, the speaker can be installed at any location in both a horizontal and vertical way, providing the possibility for pointing the speaker into the desired direction, even after the speaker is already mounted and connected.

The horizontal installation method provides an additional advantage when the installation height on the wall or ceiling is limited, while the directional capabilities make it easy to determine and adjust the distribution of sound throughout the area.

The installation of the loudspeaker should be done according to a simple 5-step procedure, which is described below:

## Step 1: Attach the Wall Plate

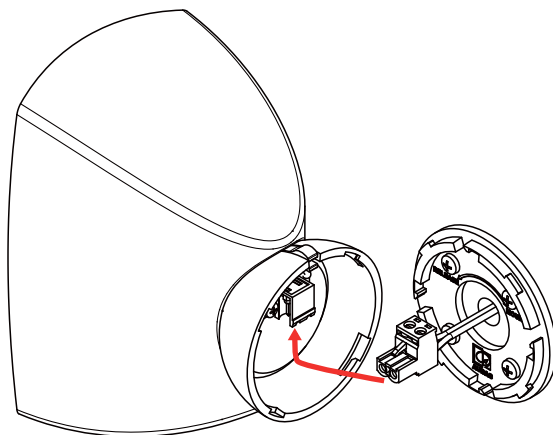
The first step to be taken is mounting the supplied wall plate to the desired location on the wall. The wall plate has to be fixed by four screws in a quadrangular shape. The mutual distance is 28,3 mm in both horizontal and vertical way as indicated in the image below. The wires coming from the amplifier have to be fed through the hole in the center of the wall plate. The used fasteners should be chosen according to the mounting surface (brick, concrete, wood, ... )



## Step 2: Make the connections

After the wall plate is mounted, the connections shall be made. The ATE02 only allows connection in low impedance (8 Ohm) mode and therefore two terminals are provided. The included 2-pin terminal block connector should be assembled to the wires coming from the amplifier which are fed through the hole in the center of the wall plate.

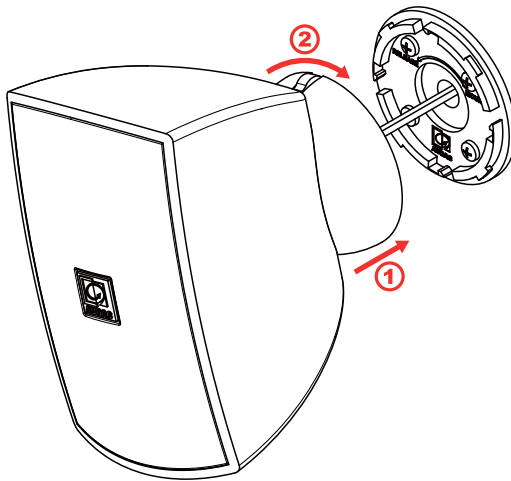
The correct polarity is marked on the connector. Make sure the polarity is always correct throughout the entire system.



**Mind the polarity markings when wiring the loudspeaker cables.**

## Step 3: Attach the speaker

After the wall plate is mounted and the connector assembled, the connector shall be plugged into the counterpart on the loudspeakers' rear side and fixed to the wall plate. Simply bring the speaker to the wall plate, and make sure the cams on the speaker side are moving into the recesses on the wall plate. When matched, the speaker will fit nicely on the wall plate and can be secured by rotating the bracket until both parts are locked together with a 'click'.



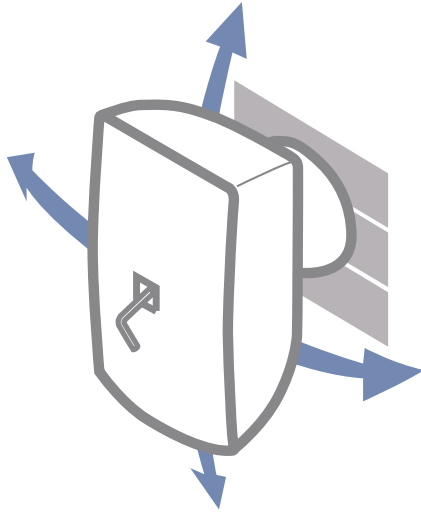
## Step 4: Position the loudspeaker

The last step in the mounting procedure of the speaker is pointing it into the correct direction. The Ateo 2 features a spring-loaded mechanism allowing directional adjustment of the loudspeaker without requiring any tools.

Just carefully point the speaker into the correct direction and it will automatically remain in the right direction.

**NOTE:**

The spring loaded directional adjustment system might require some adjustment depending of the environment the speaker is installed. For example in environments with very intense vibrations, it can be recommended to adjust it more tightly. It can be tightened or loosened by adjusting the allen–key bolt on the inner side of the speaker bracket (accessible from the rear side of the loudspeaker).



## Step 5: Enjoy the music!

After the Ateo 2 has been installed correctly, you deserve to have a short break! Relax and enjoy its sound.

# Additional Information

## Technical specifications

Max Power		20 Watt
RMS Power		10 Watt
Nominal impedance		8 Ohm
Sensitivity (1W/1m)		83 dB
Sound Pressure (Max W/1m) @ 8 Ohm		93 dB
Frequency Response ( $\pm$ 3 dB)		120 Hz – 20 kHz
Drivers		2" Aluminum full range
Connectors		2-pin Terminal-Block
Mounting bracket		Clevermount™
Construction		ABS
Front finish		Fine perforated steel grill
Incline Angle	Left & Right	25°
	Bottom	25°
	Top	15°
Colour	White	ATE02/W (RAL9003)
	Black	ATE02/B (RAL9005)
Dimensions (W x H x D)		80 x 136 x 115 mm
Weight		0.39 Kg
Packaging		Carton box (pair)
Shipping weight & Volume		1.0 Kg – 0.0044 Cbm (pair)



